

Easy Energy Easy Life



Slenergy Technology GmbH

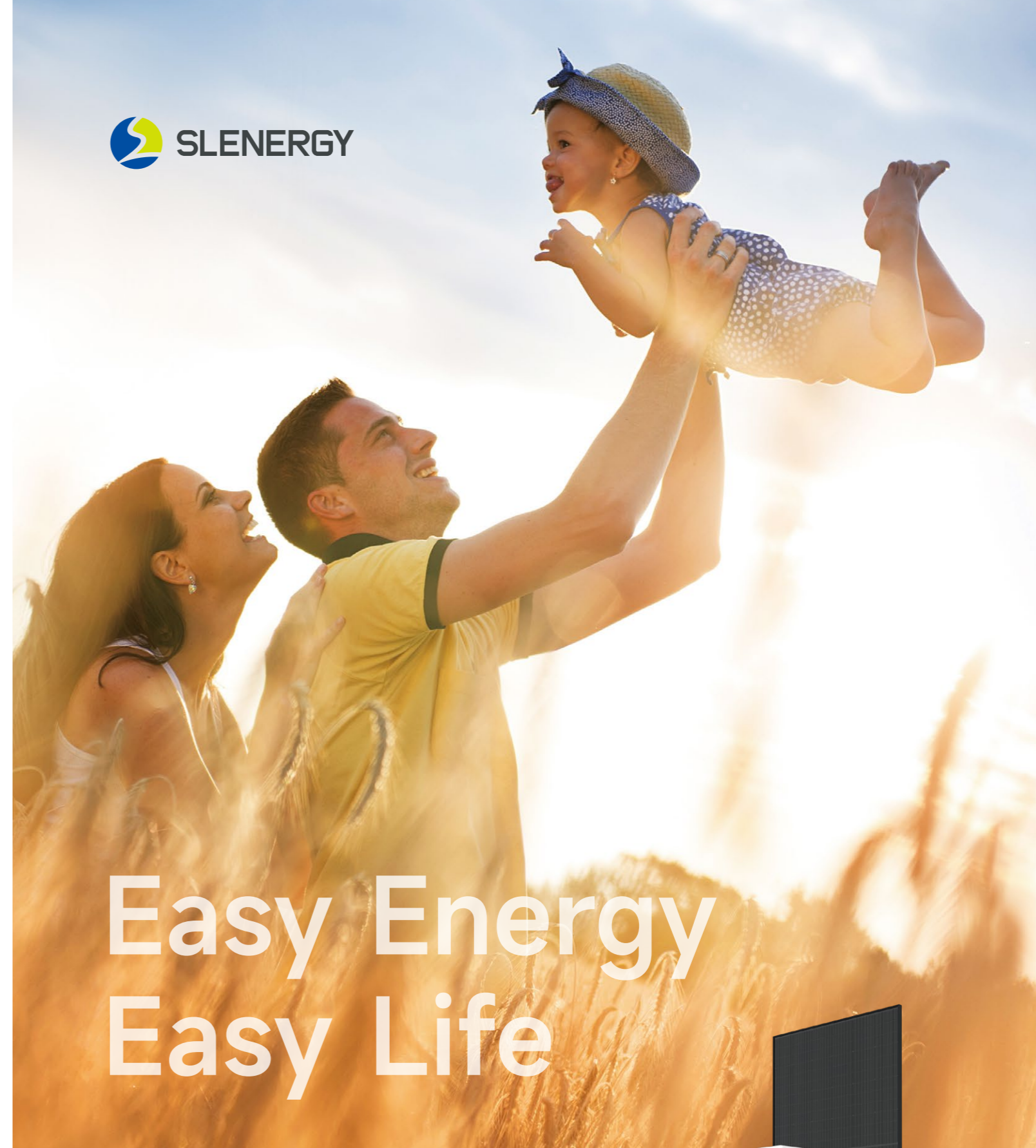
Address: HAMBURGER ALLEE 2-4 60486 FRANKFURT AM MAIN

E-mail: marketing@slenergy.com

Website: www.slenergy.com



Disclaimer: The information in this document is for reference only, and does not constitute any offer or acceptance. The changes of the product parameters or configuration are subject to the latest information.

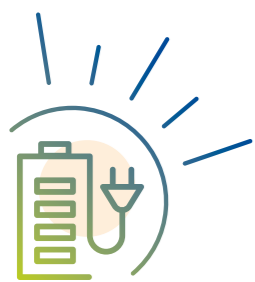


Easy Energy Easy Life

Share-Home

One-Stop Residential Energy Solution





**Easily Gain
Energy
Independence**

The only thing you need is
One-Stop Residential Energy Solution:

 **Share-Home**

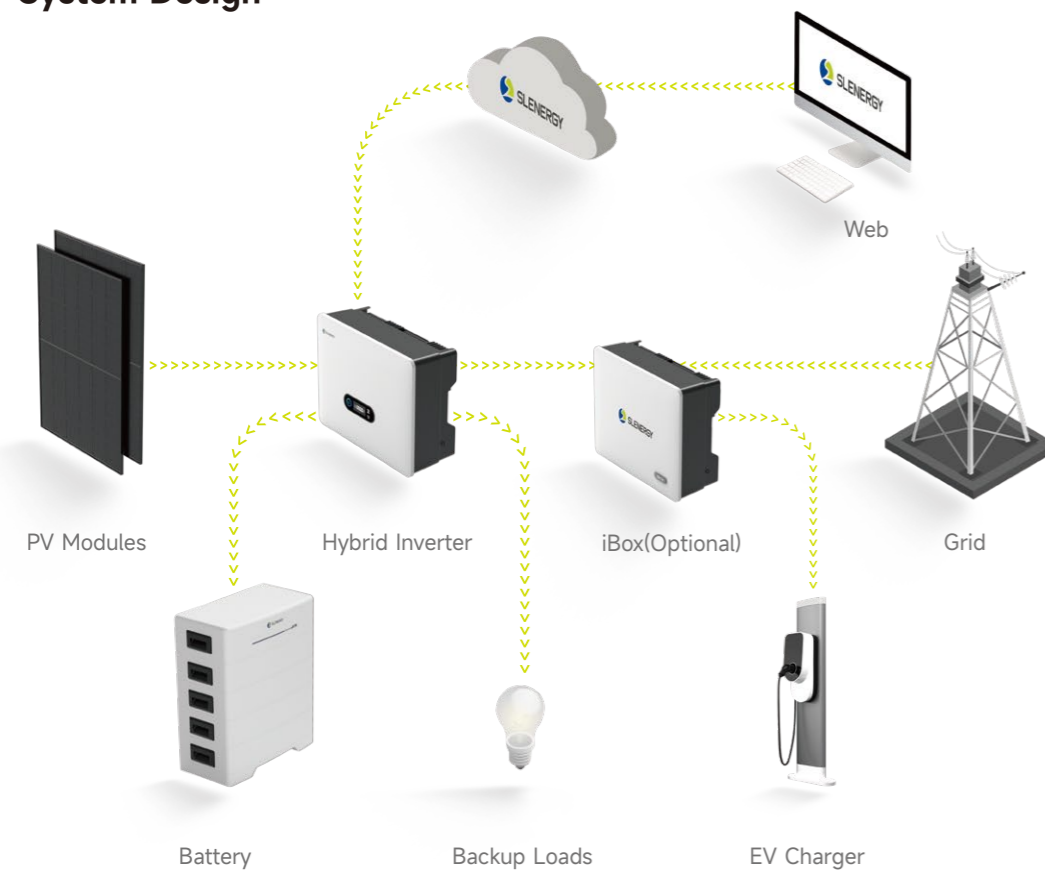


iShare-Home

An One-Stop residential smart solar solution for homeowners who want to reduce their energy cost and minimize their carbon footprint.

The innovative system adopts a standardized and modular design, integrating solar panels, mounting structure, hybrid inverter, energy storage, cable set, and smart monitoring system to create an **ONE-STOP** residential energy solution for you.

System Design



CONTENTS

About iShare-Home	03
SAVE a Better Life for You	05
SECURE Your Energy Future	11
“Zero Defect” Product	15
Calculate Your Household Electricity Consumption	19
Contact Us	20
About Slenergy	21



SAVE a Better Life for You

When choosing a Residential energy system, are you tired of high labor cost/long design cycle/incompatibility between equipments/poor after-sale service.....?

Choosing iShare-Home, you can avoid all these worries, our **One-Stop Residential Energy Solution** can help you save cost as much as possible, make your life easier.



Less Time Cost



Less Labor Cost



Less Maintenance Cost



Less Energy Cost



Less Service Cost



Less Time Cost, More Family Sharing Time

With an One-Stop approach to developing native systems, finding the perfect match is effortless. No need to spend time on extensive searching, matching, and designing, as our standardized system simplifies the design, quotation, and procurement process for installers, greatly reducing waiting times for end-users.

With iShare-Home, you can have more time to participate in outdoor sports/read books with your children.....

Standardized System Design

Using a standard BOM saves time and money in early system design by reducing repetition, improving design efficiency and quality.

Single-window Procurement

Interface with just one person to save the purchasing time.

Complete Set Delivery

We pack parts into kits for delivery, which reduces waiting time and inconvenience from multiple shipments. This also increases efficiency and customer satisfaction.





Less Labor Cost, More Funds for Family Wishes

Product design and pre-assembled components simplify installation and maximize labor cost savings. Standardized connectors and plug-and-play cables allow for quick and easy installation. Packing and shipping in sets significantly reduces sorting, logistics costs, and errors.

With iShare-Home, you can save more funds for holiday gifts and trips with your family.

Simply Connect and Secure

Preassembled mounting structure components and cable with connectors; Only need to be connected and fixed during installation.

No Wiring, Quick Installation

Storage battery installed in stack; between battery modules; No wiring is required.

Simplified Sorting Process

Modular package and logistics greatly reduce the time and errors in sorting.



Less Maintenance Cost, More Peaceful Family Life

Intelligent Manufacturing improves the quality and efficiency. So, we have the best product quality. The Mounting system can withstand various weather conditions with a strong load-bearing capacity. The electrical equipment is highly compatible and requires no adjustments, while localized services also improve efficiency, security, and lower expenses.

With iShare-Home, you can have more confidence in life and gives you a calm mindset with less anxiety.....

Precision Manufacturing

High product quality, help to reduce system failure rates.

Localized Services

Respond quickly to after-sales service and reduce waiting periods for maintenance and operation.

Local Warehousing

Quickly replace equipment and provide fast after-sales support.





Less Energy Cost, More Freedom in Electricity Usage

Our solar energy storage system has a lower LCOE than traditional grid power, particularly in Europe where electricity prices are rising, making solar power more cost-effective.

With iShare-Home, you can have more freedom in electricity usage which makes you easily gain energy independence.....

Independent Power Supply System

With our solar energy storage system, you can use clean energy from your home at night and save money, cut carbon emissions, and handle power outages easily.

Significantly Lower Electricity Costs

Our system's efficient modules and reliable energy storage batteries greatly reduce generation costs compared to grid power.



Less Service Cost, Higher Standard of Living

Our integrated service system not only offers better service experience and lifestyle enjoyment but also saves on service costs. With pre-sales, in-sales, and after-sales services combined, fewer personnel are required for service support. Additionally, our intelligent energy management system provides automatic remote upgrades and service support.

With iShare-Home, you can enjoy a better customer experience and quality of life.....

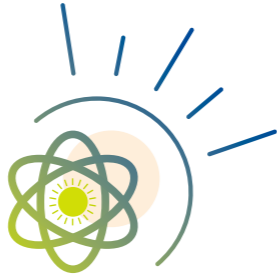
Full Process Service

Integrated service system of pre-sale, in-sale and after-sale to simplify communication process and provide superior service support.

Intelligent Energy Management System

Enjoy a smarter green life with our SmartM Intelligent Energy Management System.

SECURE Your Energy Future



Energy Self-sufficiency

Customers are not only power consumers, but also power producers with the ability to be self-sufficient. They can take control of their own energy supply, making it more secure. As a result, each user can become a mini power plant.



Precision Manufacturing

All core components are produced according to precision manufacturing standards, leading to a higher level of quality.

iShare-Home can help you to enjoy a more reliable life, ensure the energy usage safety of your family.



Secure Hardware



Our intelligent junction box provides automatic disconnection function, which can automatically detect and cut off the circuit connection between solar panels and inverters, to avoid safety risks to the installers and equipment, and prevent fire and other safety accidents caused by circuit failures, thus ensuring the safety of equipment and personnel.

In addition, the intelligent junction box can optimize power generation.

Our inverter provides intelligent safety protection, bringing you a more secure and reliable energy experience. Real-time arc voltage monitoring is built-in to prevent fire hazards, while remote monitoring via the app allows for easy and clear monitoring of the inverter's operating status.

The iShare-Home system components are equipped with our self-developed junction box, which helps you enjoy a more reassuring and secure life.



Smart Energy Management

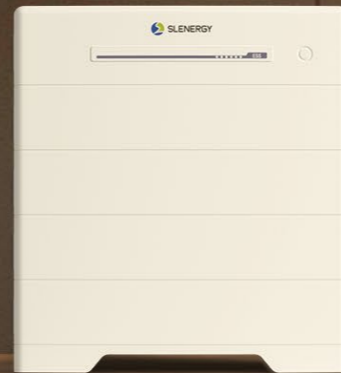
SmartM can monitor the operation status of the power station 24 hours a day and choose different operation modes according to the household electricity consumption.

The system can also automatically detect the installation status of CT or electricity meter to prevent abnormal operation of the inverter due to installation errors.

Additionally, it supports remote upgrades and has equipment failure alarm function.

iShare-Home can help you add an extra layer of security to family life.

“Zero Defect” Product



PV Module



Higher Efficiency

21.8% Max. Efficiency

All Black PV modules

425W Module Power

Low-profile and Minimalist aesthetic

Long-term

1% 1% First year Power Degradation

0.4% 0.4% Year 2-30 Power Degradation

15/25-Y 15/25-Year Warranty for Materials and Workmanship

30-Y 30-Year Warranty for Linear Power Output

Inverter



Higher Output

125% Up to 125% AC output overloading

150% Max. 150% back-up output overloading @60s

98.2% 98.2% Max. Efficiency

110% Up to 110% unbalanced load

Higher Safety

Active power-off protection

Within 10ms UPS-level switching

Arc-fault circuit interrupter

Intelligent Junction Box



Higher Power

10-15% Under severe shading, power generation can increase by 10-15%

99.5% Maximum conversion efficiency is 99.5%

98% With weighted efficiency greater than 98%

5-15% Overall improvement of module/string power generation by 5-15%

Improved Security

Automatic detection and disconnection of circuit connection

Prevent circuit malfunctions from causing fires

Automatically the circuit connection

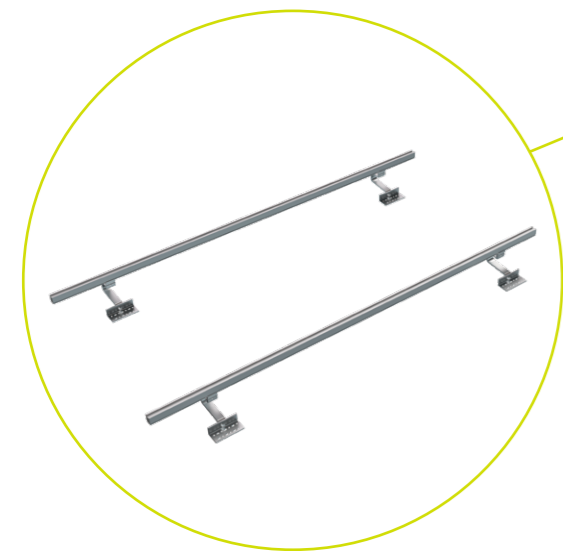
Energy Storage Battery

Higher Flexibility

- From 7.68-20.48kWh Extensible Capacity
- Flexible Application Modular design
- Stacked structure
- Optimized installation mode

Higher Performance

- Reliable Performance
- With 6000 cycles @80% DOD
- Long working life
- Safer LiFePO₄ batteries



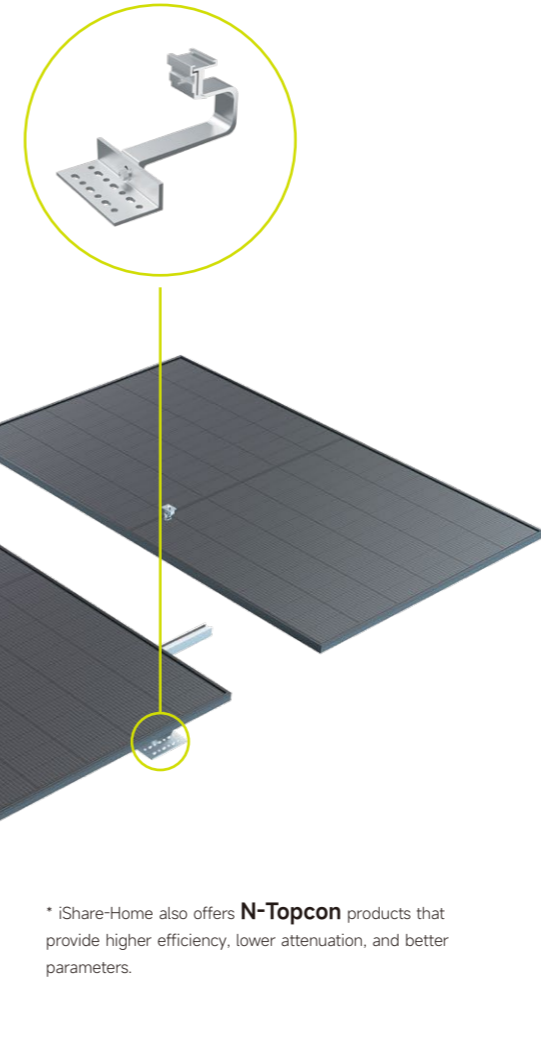
Mounting Structure

Higher Simplicity

- Easy to fix rail and adjust leveling
- Easy to adjust hook height
- Hook height adjusting range 40-55mm

Higher Compatibility

- High Strength aluminum alloy
- Better Compatibility with roof
- Minimum modular design with 2 PV panels



* iShare-Home also offers **N-Topcon** products that provide higher efficiency, lower attenuation, and better parameters.

Cable Set

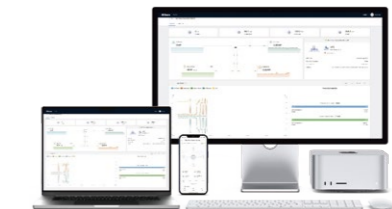


Higher Standardization

- Standardized wire length
- Full cable set

Higher Advancement

- Pre-installed plugs
- Plug and play



Smart energy management

Higher Intelligence

- 24-hour monitoring of the power station's operating status
- Different operating modes can be selected according to the household's electricity consumption

Higher Security

- Able to automatically detect the installation of CT or meter
- Support remote upgrade and equipment failure alarm function

Calculate the System Capacity Applicable to Your House

iShare-Home Series

System Configuration	4kW System	5kW System	6kW System	8kW System	10kW System	12kW System	15kW System
PV Module	4kW	5kW	6kW	8kW	10kW	12kW	15kW
No. PV Modules (pcs)	10/12/14	16	18/20	22/24/26/28	30/32/34	36/38/40/42	44/46/48/50
Effective Roof Area Approx.	20m ² -30m ²	35m ² -40m ²	36m ² -44m ²	48m ² -65m ²	65m ² -85m ²	90m ² -110m ²	115m ² -135m ²
Inverter	4kW*1set	5kW*1set	6kW*1set	8kW*1set	10kW*1set	12kW*1set	15kW*1set
Battery	7kWh-15kWh	7kWh-17kWh	7kWh-20kWh	7kWh-20kWh	7kWh-20kWh	7kWh-20kWh	7kWh-20kWh
Cable Set	1set	1set	1set	1set	1set	1set	1set
Mounting Structure Set	1set	1set	1set	1set	1set	1set	1set
Cloud & APP	1set	1set	1set	1set	1set	1set	1set
iBox	Optional	Optional	Optional	Optional	Optional	Optional	Optional
Power Generation	12-17kWh/Day 4366-6110kWh /Year	App.19kWh/Day App.6986kWh /Year	21-24kWh/Day 7860-8734kWh /Year	29-32kWh/Day 10590-11650kWh /Year	36-40kWh/Day 13100-14847kWh /Year	43-50kWh/Day 15720-18340kWh /Year	52-60kWh/Day 18340-21833kWh /Year
Carbon Dioxide Emission	Reduce carbon dioxide 5.5 ton per year	Reduce carbon dioxide 5.5 ton per year	Reduce carbon dioxide 5.5 ton per year	Reduce carbon dioxide 5.5 ton per year	Reduce carbon dioxide 5.5 ton per year	Reduce carbon dioxide 5.5 ton per year	Reduce carbon dioxide 5.5 ton per year

Take Munich, Germany as a reference. The annual peak sunshine hours are 1253h. Each 1kWh generated reduce 0.997kg of CO₂.

Remark: Larger capacity systems can be configured according to demand.

Don't want to deal with complicated calculations? The table is too difficult to understand?



Contact us!

We'll solve all your problems in one stop.





Easy Energy Easy Life

About Slenergy

Slenergy Technology (A.H.) Co., Ltd., abbreviated as Slenergy, strives to be a world-leading provider of sustainable smart energy solutions. We provide integrated solutions, PV inverters from 3 kW to 320kW, residential and C&I ESS, intelligent junction box, portable energy storage products and smart energy management system.

With an experienced and robust R&D team and backed by a series of technical invention patents, Slenergy aims to offer clients reliable and efficient whole-scenario smart energy solutions. We hope to bring the value of light to more people and make energy independence possible through our innovative design and intelligent manufacturing.